



Customer-survey

Ideal Scene

Target / Actual relation

Capital costs

Energy Consumption

Maintenance costs

Security

Flexibility

Modular expandability

...

Power requirements(kW)

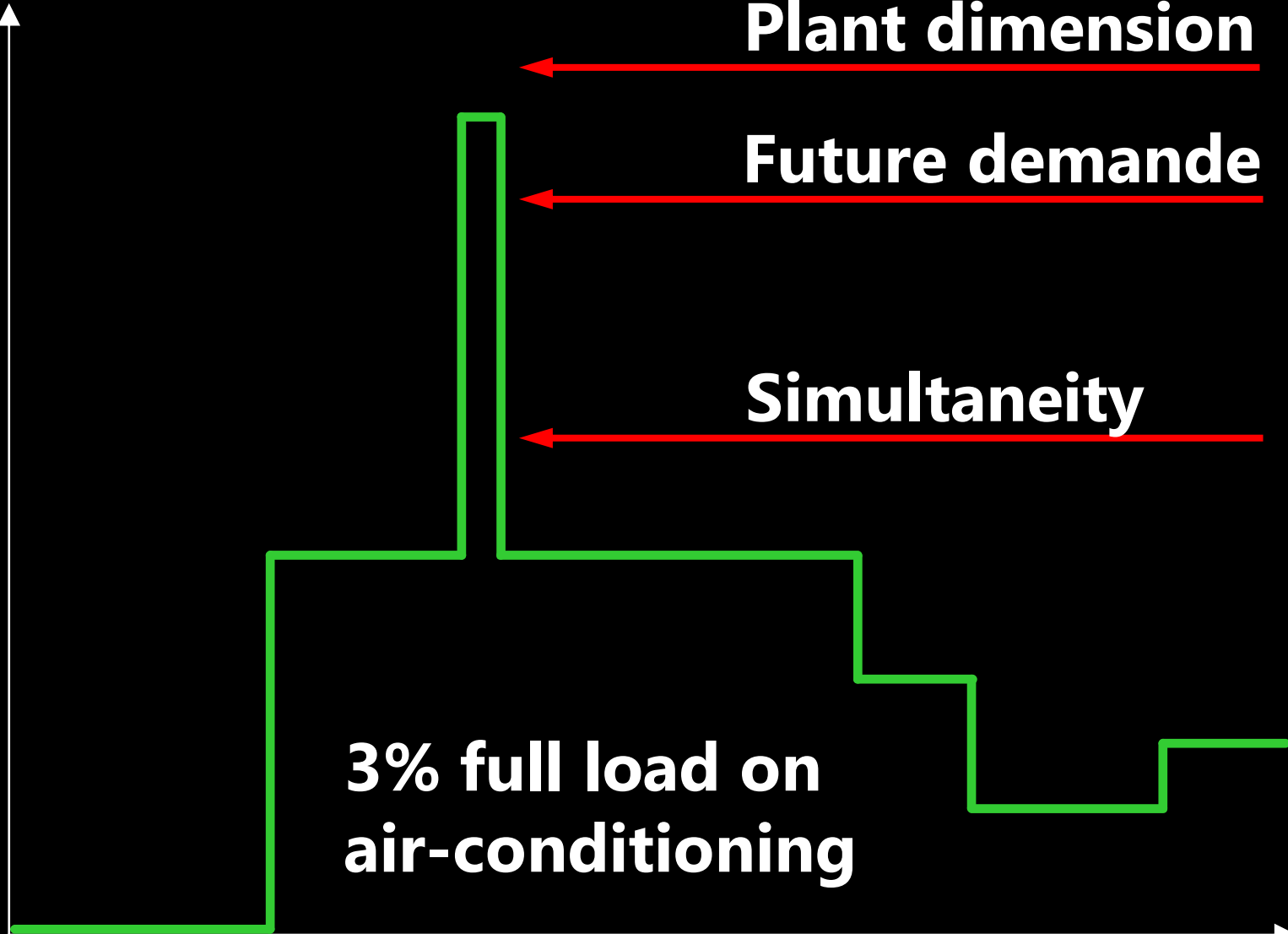
Plant dimension

Future demande

Simultaneity

**3% full load on
air-conditioning**

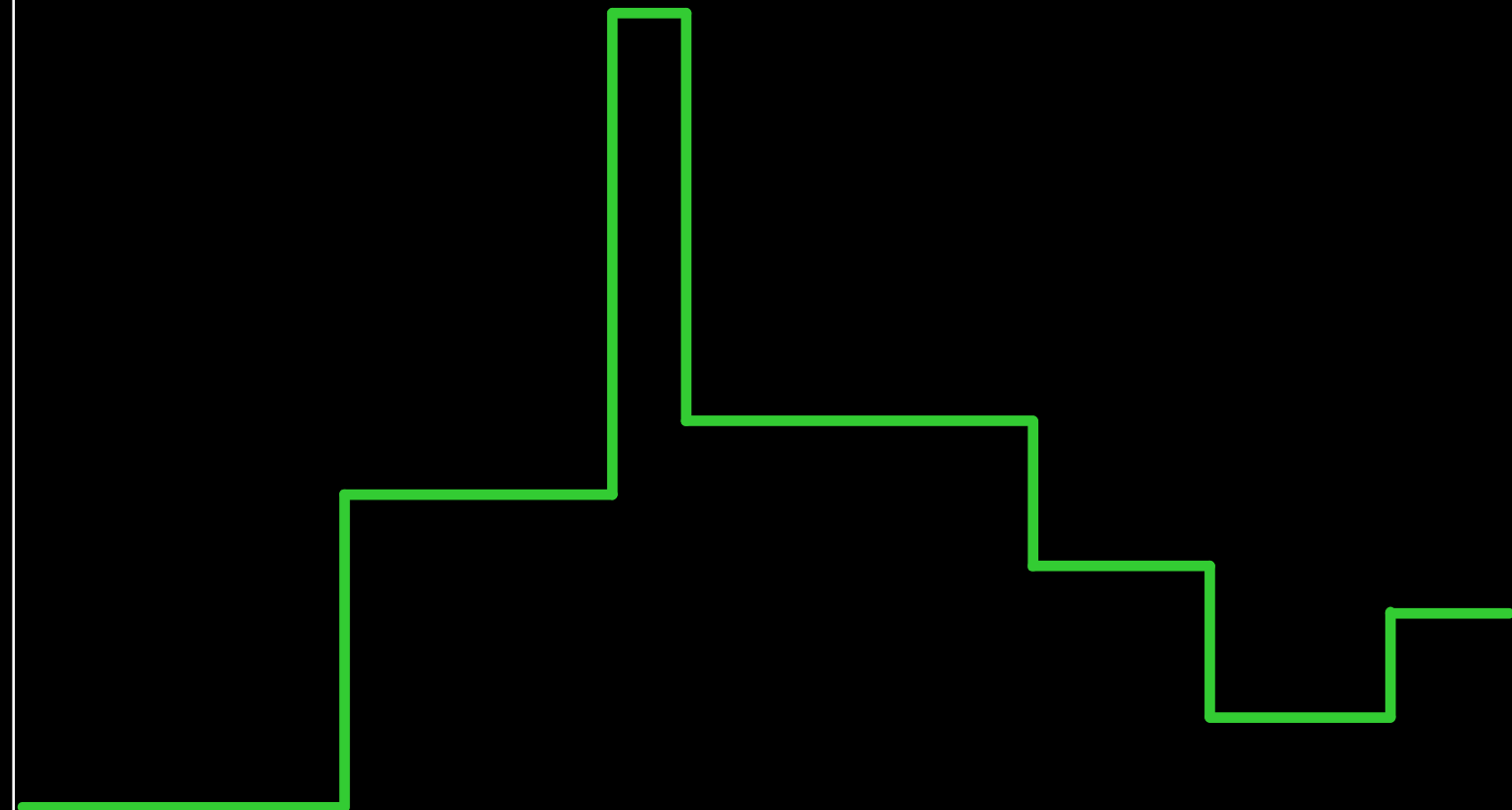
Time



Power requirements (kW)



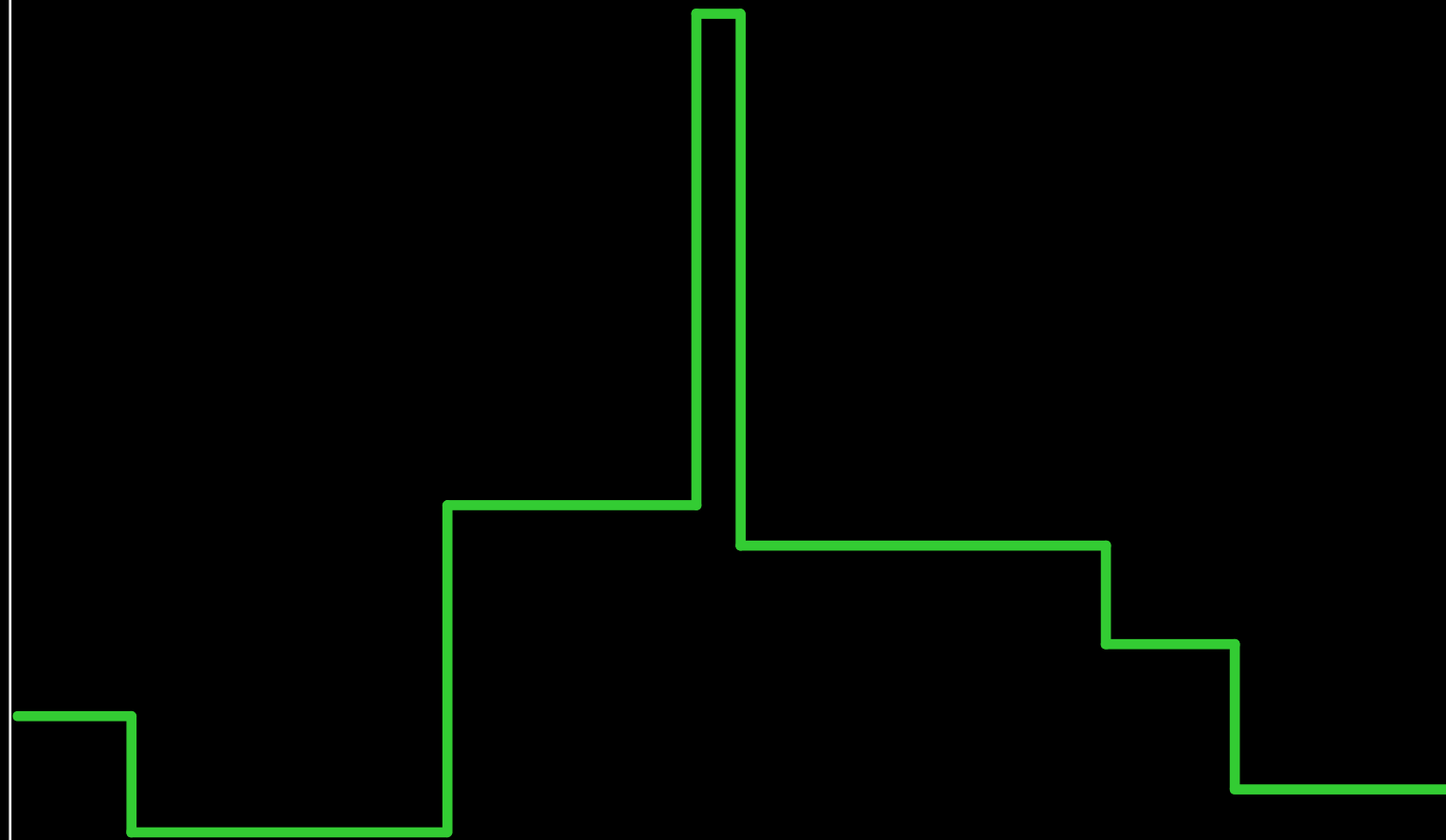
Time



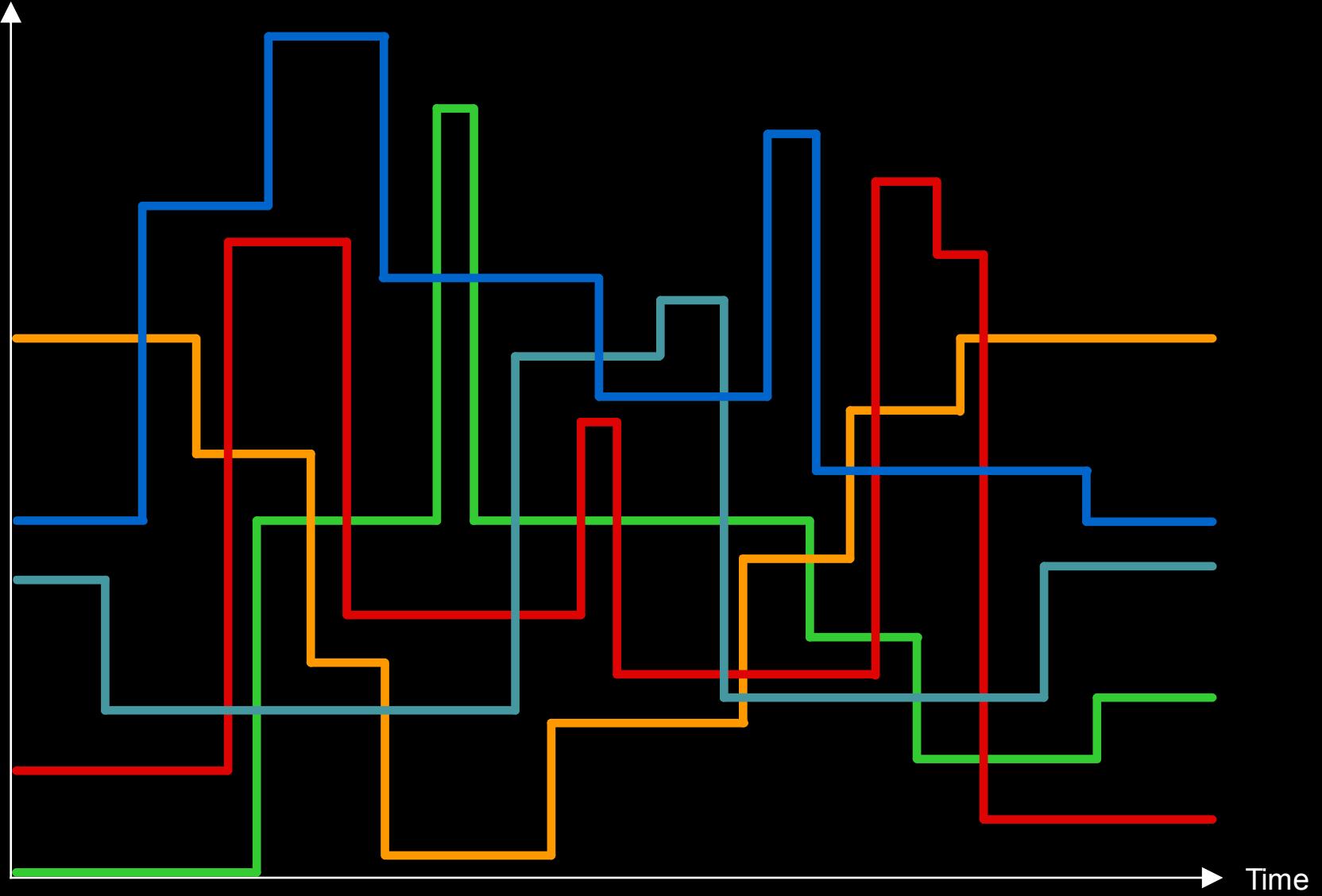
Power requirements (kW)



Time



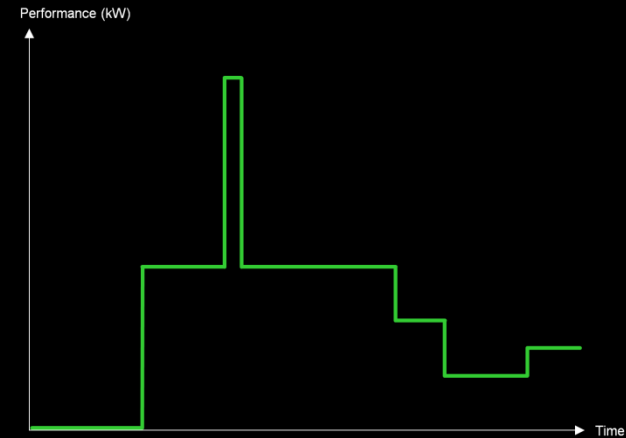
Power requirements (kW)



Vision

**Most secure,
simplest and
smallest**

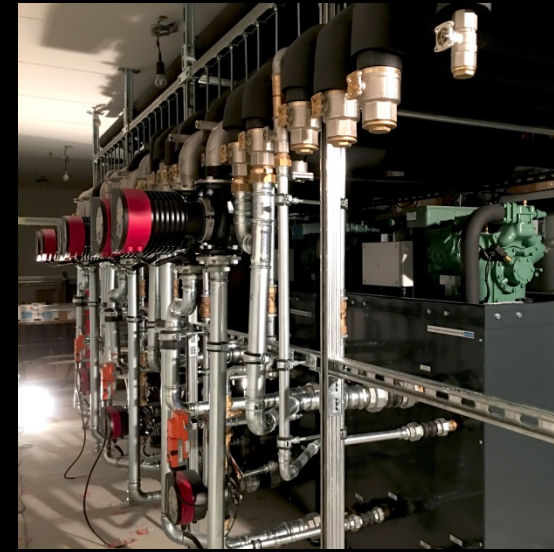
**refrigeration, air-conditioning
and heatpump plant.**





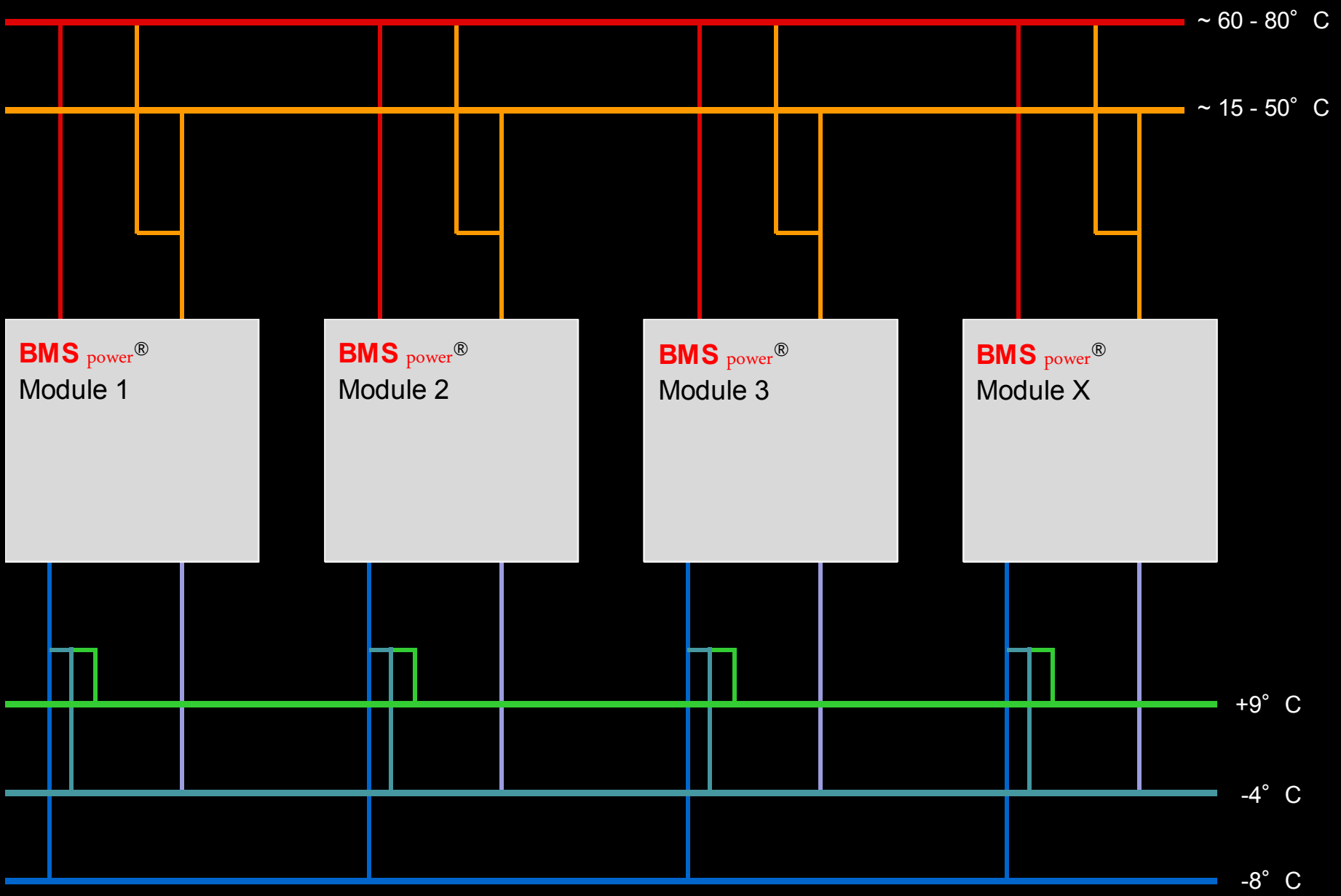
Collector

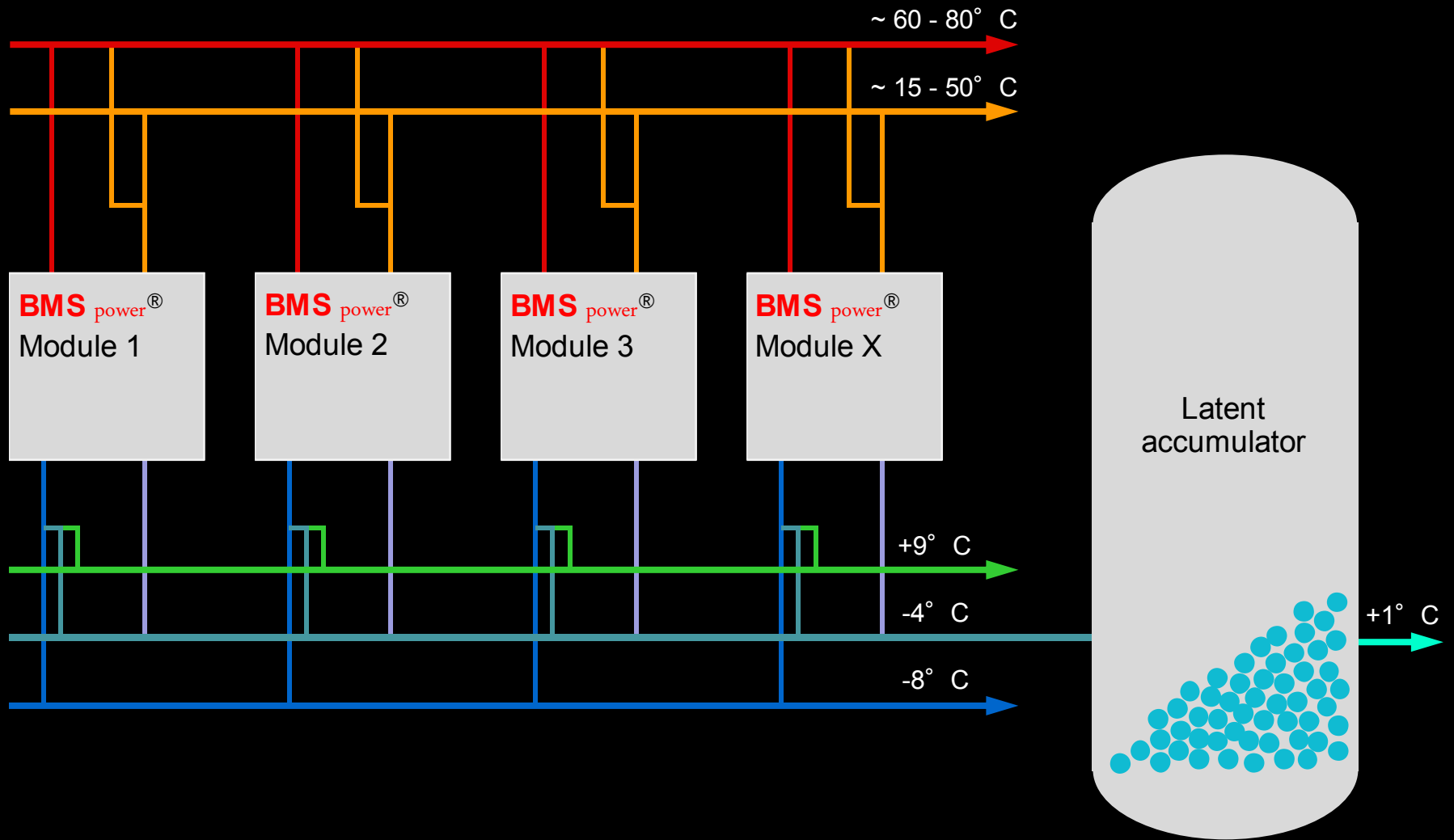
BMS power[®] module

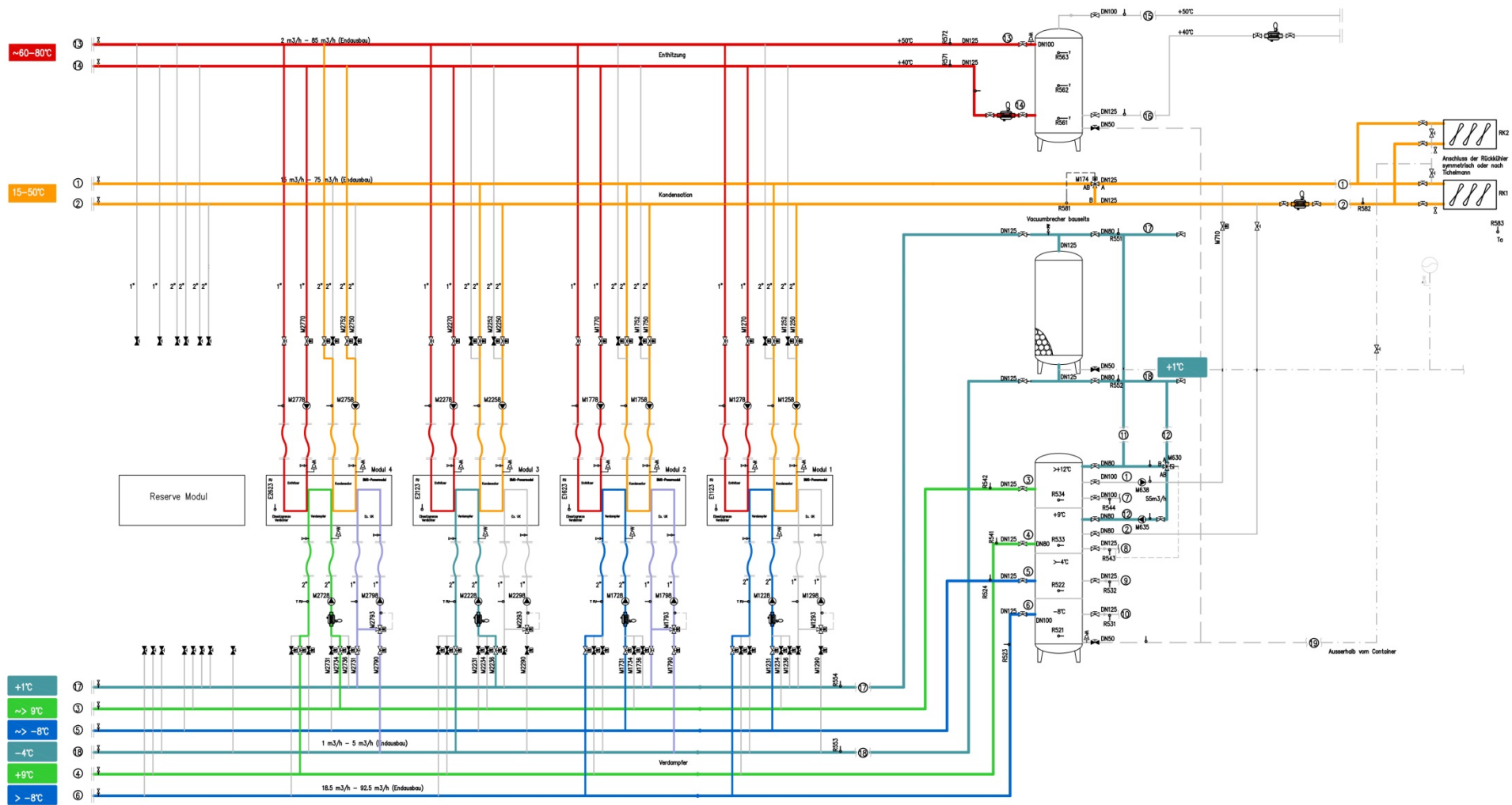


System connection

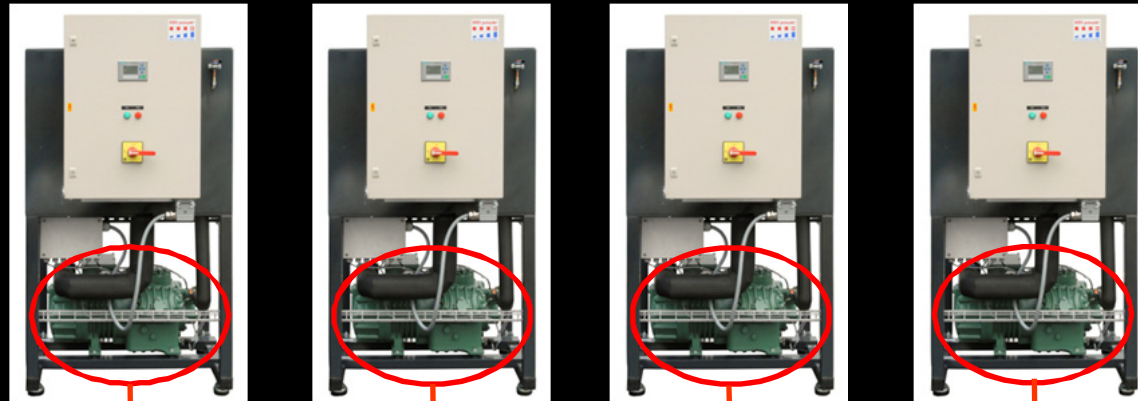








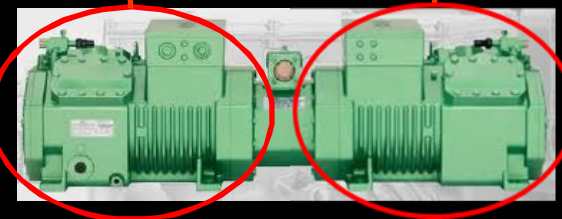
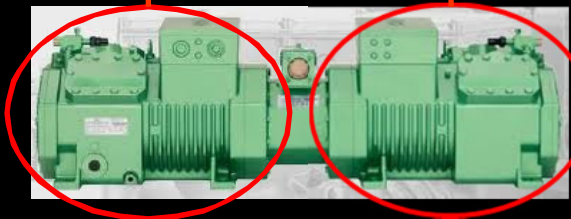
Technical concept – Replacement compressors



Electrical consumption
at full load:

Until now: 240 kW

Now: 77 kW



Plant 1 (-8° C)

Plant 2 (-8° C)

Plant 3 (+9° C)











